

EXTRA-DEEP PUSHBUTTON ENCLOSURES, TYPE 12

INDUSTRY STANDARDS

UL 508A Listed; Type 12, 13; File No. E61997
 cUL Listed per CSA C22.2 No. 94; Type 12, 13; File No. E61997

NEMA/EEMAC Type 12, 13
 CSA File Number 42186: Type 12
 IEC 60529, IP65

APPLICATION

Extra-Deep Pushbutton Enclosures are designed to hold 30.5-mm and 22.5-mm pushbuttons and switches, with added depth to accommodate additional pushbutton contact blocks.

SPECIFICATIONS

- 16 or 14 gauge steel
- Seams continuously welded and ground smooth
- Captivated cover screws thread into sealed wells
- Bonding provision on cover
- Grounding stud on body
- Oil-resistant gasket
- Factory stamped 4-way pushbutton holes
- Enclosures 6.00 x 4.00 x 4.75 in. (152 x 102 x 121 mm) and larger have internal detachable hinge to hold cover open during wiring
- External welded-on mounting brackets for easy installation
- 30.5-mm or 22.5-mm size holes

FINISH

ANSI 61 gray polyester powder paint inside and out

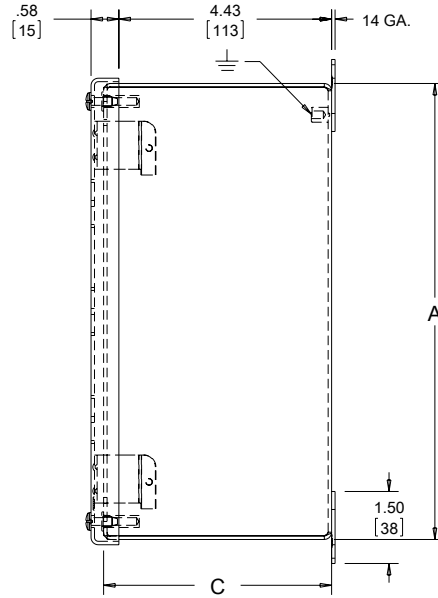
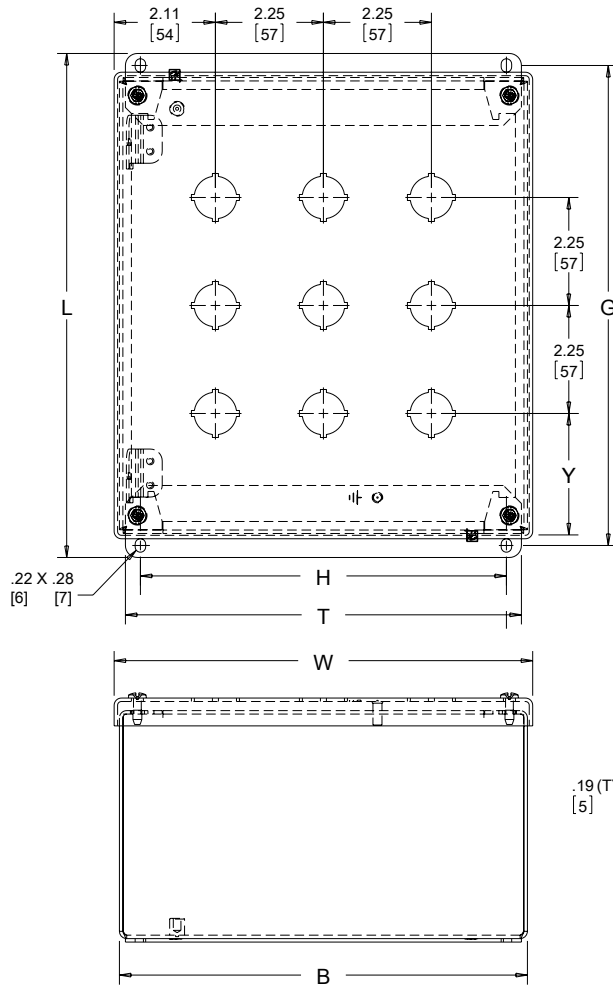
ACCESSORIES

See also *Accessories*.
 Industrial Corrosion Inhibitors
 HOL-SEALERS Hole Seals
 Tamper-Resistant Screws

BULLETIN: PB1

Standard Product

Catalog Number	AxBxC in.	AxBxC mm	Hole Size	Number of Holes	Gauge	Mounting G x H (in.)	Mounting G x H (mm)	Overall L x W (in.)	Overall L x W (mm)	T (in.)	T (mm)	Y (in.)	Y (mm)
E1PBX	4.00 x 4.00 x 4.75	102 x 102 x 121	30.5 mm	1	16	4.50 x 3.12	114 x 79	5.00 x 4.22	127 x 107	3.75	95	2.11	54
E1PBXM	4.00 x 4.00 x 4.75	102 x 102 x 121	22.5 mm	1	16	4.50 x 3.12	114 x 79	5.00 x 4.22	127 x 107	3.75	95	2.11	54
E2PBX	6.00 x 4.00 x 4.75	152 x 102 x 121	30.5 mm	2	14	6.50 x 3.12	165 x 79	7.00 x 4.22	178 x 107	3.75	95	1.98	50
E2PBXM	6.00 x 4.00 x 4.75	152 x 102 x 121	22.5 mm	2	14	6.50 x 3.12	165 x 79	7.00 x 4.22	178 x 107	3.75	95	1.98	50
E3PBX	8.00 x 4.00 x 4.75	203 x 102 x 121	30.5 mm	3	14	8.50 x 3.12	216 x 79	9.00 x 4.22	229 x 107	3.75	95	1.86	47
E3PBXM	8.00 x 4.00 x 4.75	203 x 102 x 121	22.5 mm	3	14	8.50 x 3.12	216 x 79	9.00 x 4.22	229 x 107	3.75	95	1.86	47
E4PBX	10.00 x 4.00 x 4.75	254 x 102 x 121	30.5 mm	4	14	10.50 x 3.12	267 x 79	11.00 x 4.22	279 x 107	3.75	95	1.73	44
E4PBXM	10.00 x 4.00 x 4.75	254 x 102 x 121	22.5 mm	4	14	10.50 x 3.12	267 x 79	11.00 x 4.22	279 x 107	3.75	95	1.73	44
E4SPBX	7.25 x 6.25 x 4.75	184 x 159 x 121	30.5 mm	4	14	7.75 x 5.38	197 x 137	8.25 x 6.47	210 x 164	6.00	152	2.61	66
E4SPBXM	7.25 x 6.25 x 4.75	184 x 159 x 121	22.5 mm	4	14	7.75 x 5.38	197 x 137	8.25 x 6.47	210 x 164	6.00	152	2.61	66
E6PBX	9.50 x 6.25 x 4.75	241 x 159 x 121	30.5 mm	6	14	10.00 x 5.38	254 x 137	10.50 x 6.47	267 x 164	6.00	152	2.61	66
E6PBXM	9.50 x 6.25 x 4.75	241 x 159 x 121	22.5 mm	6	14	10.00 x 5.38	254 x 137	10.50 x 6.47	267 x 164	6.00	152	2.61	66
E9PBX	9.50 x 8.25 x 4.75	241 x 210 x 121	30.5 mm	9	14	10.00 x 7.62	254 x 194	10.50 x 8.72	267 x 221	8.25	210	2.61	66
E9PBXM	9.50 x 8.25 x 4.75	241 x 210 x 121	22.5 mm	9	14	10.00 x 7.62	254 x 194	10.50 x 8.72	267 x 221	8.25	210	2.61	66
E10PBX	14.00 x 6.25 x 4.75	356 x 159 x 121	30.5 mm	10	14	14.50 x 5.38	368 x 137	15.00 x 6.47	381 x 164	6.00	152	2.61	66
E10PBXM	14.00 x 6.25 x 4.75	356 x 159 x 121	22.5 mm	10	14	14.50 x 5.38	368 x 137	15.00 x 6.47	381 x 164	6.00	152	2.61	66
E12PBX	11.75 x 8.50 x 4.75	298 x 216 x 121	30.5 mm	12	14	12.25 x 7.62	311 x 194	12.75 x 8.72	324 x 221	8.25	210	2.61	66
E12PBXM	11.75 x 8.50 x 4.75	298 x 216 x 121	22.5 mm	12	14	12.25 x 7.62	311 x 194	12.75 x 8.72	324 x 221	8.25	210	2.61	66
E16SPBXV	20.75 x 6.25 x 4.75	527 x 159 x 121	30.5 mm	16	14	21.25 x 5.38	540 x 137	21.75 x 6.47	552 x 164	6.00	152	2.61	66
E16SPBXVM	20.75 x 6.25 x 4.75	527 x 159 x 121	22.5 mm	16	14	21.25 x 5.38	540 x 137	21.75 x 6.47	552 x 164	6.00	152	2.61	66
E16PBX	11.75 x 10.75 x 4.75	298 x 273 x 121	30.5 mm	16	14	12.25 x 9.88	311 x 251	12.75 x 10.97	324 x 279	10.50	267	2.61	66
E16PBXM	11.75 x 10.75 x 4.75	298 x 273 x 121	22.5 mm	16	14	12.25 x 9.88	311 x 251	12.75 x 10.97	324 x 279	10.50	267	2.61	66
E20PBX	14.00 x 10.75 x 4.75	356 x 273 x 121	30.5 mm	20	14	14.50 x 9.88	368 x 251	15.00 x 10.97	381 x 279	10.50	267	2.61	66
E20PBXM	14.00 x 10.75 x 4.75	356 x 273 x 121	22.5 mm	20	14	14.50 x 9.88	368 x 251	15.00 x 10.97	381 x 279	10.50	267	2.61	66
E25PBX	14.00 x 13.00 x 4.75	356 x 330 x 121	30.5 mm	25	14	14.50 x 12.12	368 x 308	15.00 x 13.22	381 x 336	12.75	324	2.61	66
E25PBXM	14.00 x 13.00 x 4.75	356 x 330 x 121	22.5 mm	25	14	14.50 x 12.12	368 x 308	15.00 x 13.22	381 x 336	12.75	324	2.61	66



C2664-C

