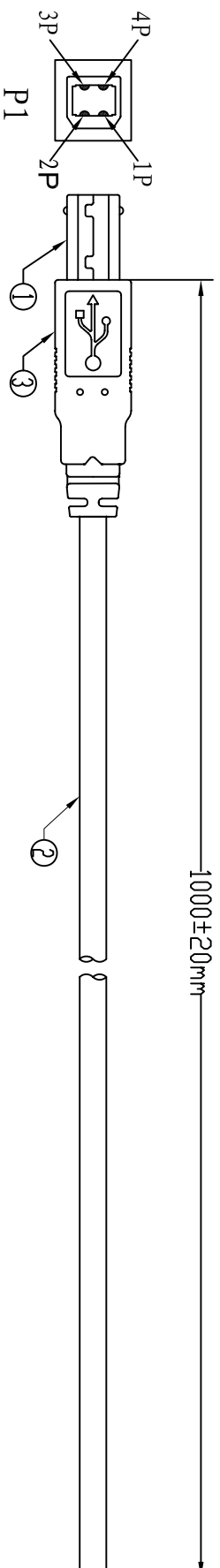
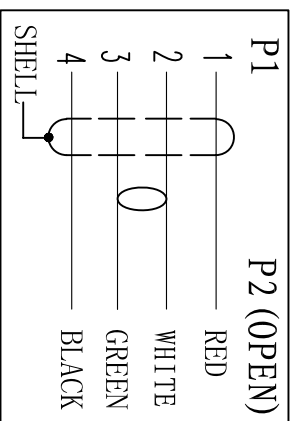


UNIT:mm

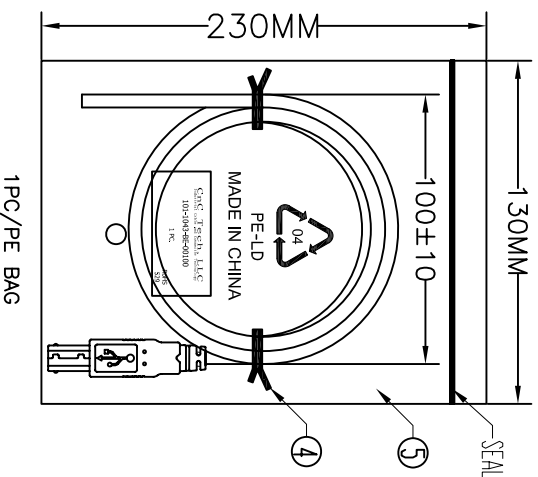


CABLE BLACK PRINT
 USB CABLE E189529 **RU** AWM 2725 VW-1 30V 80°C 28AWG/1PR AND 28AWG/2C

PIN ASSIGNMENT:



Electrical test:
 1. 100% short, open, miswire test
 2. Conduct resistance: 2 Ohm(max)
 3. Insulation resistance: 5Mohm(min)
 4. dielectric test: DC 300V



⑥	PE BAG	1/10	CLEAR SIZE:280*330*0.05mm	PRINT BLACK	MADE IN CHINA	"10PCS"印生产周期,有透气孔.
⑤	PE BAG	1	CLEAR SIZE:130*230*0.05mm	PRINT BLACK	MADE IN CHINA	"1PC"印生产周期,有透气孔.
④	TIE	2	WHITE	L=100mm		
③	OUT JACKET	12g	BEIGE (TV-29#)	PVC-40P (MOULD NO.:WM-65)		
②	CABLE	1	BEIGE (TV-29#)	USB1.1 UL2725 28#/1P+28#/2C+AB OD:4.7mm L=1000±10		
①	CONN	2set	USB B MALE SHELL:NICKEL PIN G/F 3PCS TYPE INSULATOR COLOR:WHITE			
NO.	NAME	Q'TY	SPECIFICATION			

CNC Tech, LLC
 Industrial Cable and Connector Technology

DRAWN	LI CHENG	DRAWING NO	
CHECKED		CUSTOMER	
APPROVAL		ITEM NO.	101-1043-BE-00100
DECIDED		DATE	2012-11-22
VERSIONS/EDITED	A/0	PROJECTION	