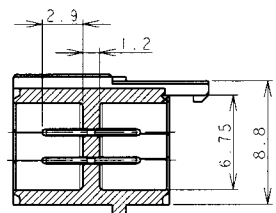
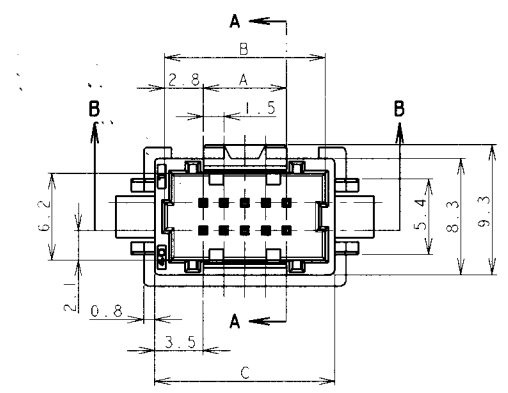
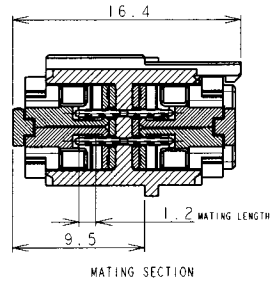


THIS DRAWING IS UNPUBLISHED
 RELEASED FOR PUBLICATION
 ALL RIGHTS RESERVED

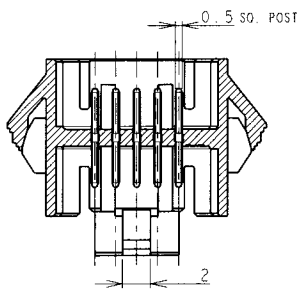
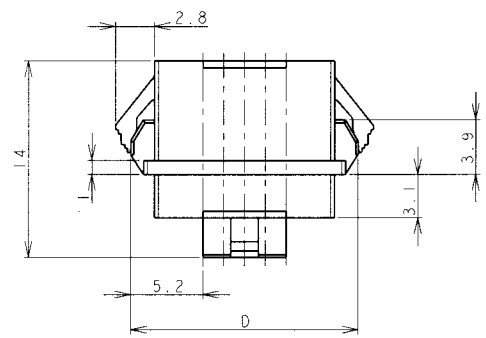
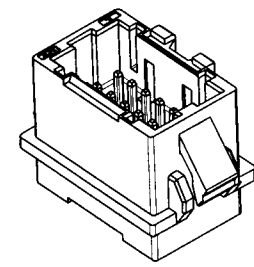
| | | | | | | | |
|-----|------|-----------|-----|---------------------------|---------|-----|------|
| LOC | DIST | REVISIONS | | | | | |
| FB | 00 | P | LTR | DESCRIPTION | DATE | DWN | APVD |
| | | P | | REVISED PER ECO-11-005033 | 19APR11 | RK | HMR |



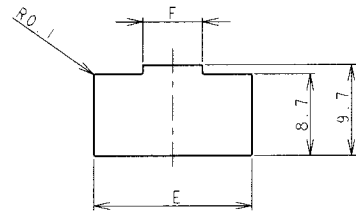
SECT A-A



MATING SECTION

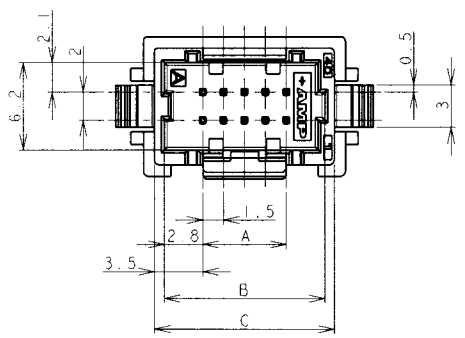


SECT B-B



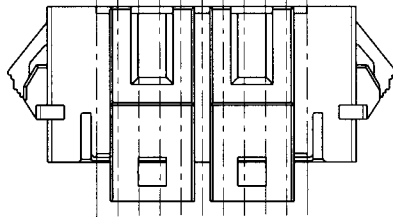
PANEL CUTOUT DIMENSION (TOLERANCE ± 0.1 mm)
 (RECOMMENDED PANEL THICKNESS 0.8mm-1.6mm)

- NOTES
- MATERIAL
 HOUSING: 66NYLON(94V-0) COLOR: WHITE, BLUE
 POST: TIN BRASS WIRE
 - THE PANEL SHOULD BE PUNCHED SO THAT THE HOUSING ENTERS THE PANEL IN THE SAME DIRECTION AS PUNCH.

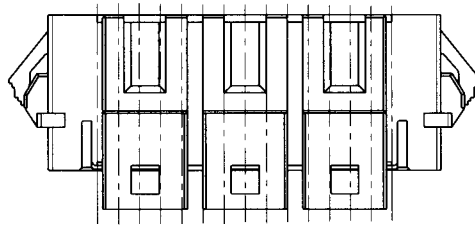


| | | | | | | | |
|-------------------------------------|--|--|--|---|--|---|--|
| DIMENSIONS mm | | TOLERANCES UNLESS OTHERWISE SPECIFIED: 10 \pm 0.2 30 \pm 0.25 100 \pm 0.3 ANGLE \pm 3° | | DWN J. JIANG 04FEB03 CHK S. YAO 04FEB03 APVD T. SASAKI 04FEB03 PRODUCT SPEC 108-60018 APPLICATION SPEC 114-5223 WEIGHT MATERIAL SEE NOTE 1 FINISH SEE NOTE 1 CUSTOMER DRAWING | | TE Connectivity AMP MINI COMMON TERMINATED (CT) CONNECTOR 1.5 mm PITCH DOUBLE ROW POST HEADER ASS'Y PANEL MOUNT TYPE SIZE A3 CAGE CODE 00779 DRAWING NO. C-292216 RESTRICTED TO | |
| SCALE: 1:1 SHEET 1 OF 2 REV P | | | | | | | |

| | | | | | | | | |
|-----|------|-----------|-----|-------------|------|-----|------|--|
| LOC | DIST | REVISIONS | | | | | | |
| FB | 00 | P | LTR | DESCRIPTION | DATE | DWN | APVD | |
| | | - | | SEE SHEET 1 | - | - | - | |



22~28 Pos.



30~40 Pos.

| | | | | | | | | | |
|------------|------|------|------|------|------|------|-----|------------|------------|
| 2.37 | 20.6 | 39.5 | 38.9 | 35.5 | 34.1 | 28.5 | 40 | 9-292216-0 | 4-292216-0 |
| 2.30 | 20.6 | 38.0 | 37.4 | 34.0 | 32.6 | 27.0 | 38 | 8-292216-8 | 3-292216-8 |
| 2.21 | 20.6 | 36.5 | 35.9 | 32.5 | 31.1 | 25.5 | 36 | 8-292216-6 | 3-292216-6 |
| 2.13 | 20.6 | 35.0 | 34.4 | 31.0 | 29.6 | 24.0 | 34 | 8-292216-4 | 3-292216-4 |
| 2.05 | 20.6 | 33.5 | 32.9 | 29.5 | 28.1 | 22.5 | 32 | 8-292216-2 | 3-292216-2 |
| 1.97 | 20.6 | 32.0 | 31.4 | 28.0 | 26.6 | 21.0 | 30 | 8-292216-0 | 3-292216-0 |
| 1.82 | 13.5 | 30.5 | 29.9 | 26.5 | 25.1 | 19.5 | 28 | 7-292216-8 | 2-292216-8 |
| 1.74 | 13.5 | 29.0 | 28.4 | 25.0 | 23.6 | 18.0 | 26 | 7-292216-6 | 2-292216-6 |
| 1.63 | 13.5 | 27.5 | 26.9 | 23.5 | 22.1 | 16.5 | 24 | 7-292216-4 | 2-292216-4 |
| 1.55 | 13.5 | 26.0 | 25.4 | 22.0 | 20.6 | 15.0 | 22 | 7-292216-2 | 2-292216-2 |
| WEIGHT (g) | F | E | D | C | B | A | Pos | BLUE | WHITE |
| DIMENSIONS | | | | | | | | P/N | |

RELEASED FOR PUBLICATION

ALL RIGHTS RESERVED.

THIS DRAWING IS UNPUBLISHED.

COPYRIGHT BY

| | | | |
|--|------------------|--|-------------|
| DIMENSIONS: mm | DWN | MATERIAL | FINISH |
| TOLERANCES UNLESS OTHERWISE SPECIFIED: 10 > : ±0.2 30 > 10 : ±0.25 100 > 30 : ±0.3 ANGLE : ±3° | CHK | SEE SHEET 1 | SEE SHEET 1 |
| | APVD | | |
| | PRODUCT SPEC | | |
| | APPLICATION SPEC | NAME AMP MINI COMMON TERMINATED (CT) CONNECTOR 1.5 mm PITCH DOUBLE ROW POST HDR ASS'Y PANEL MOUNT TYPE | |
| | WEIGHT | SIZE | CAGE CODE |
| | | A4 | 00779 |
| | | DRAWING NO | |
| | | C-292216 | |
| | | RESTRICTED TO | |
| | CUSTOMER DRAWING | SCALE | SHEET |
| | | NON | 2 |
| | | OF | 2 |
| | | REV | P |