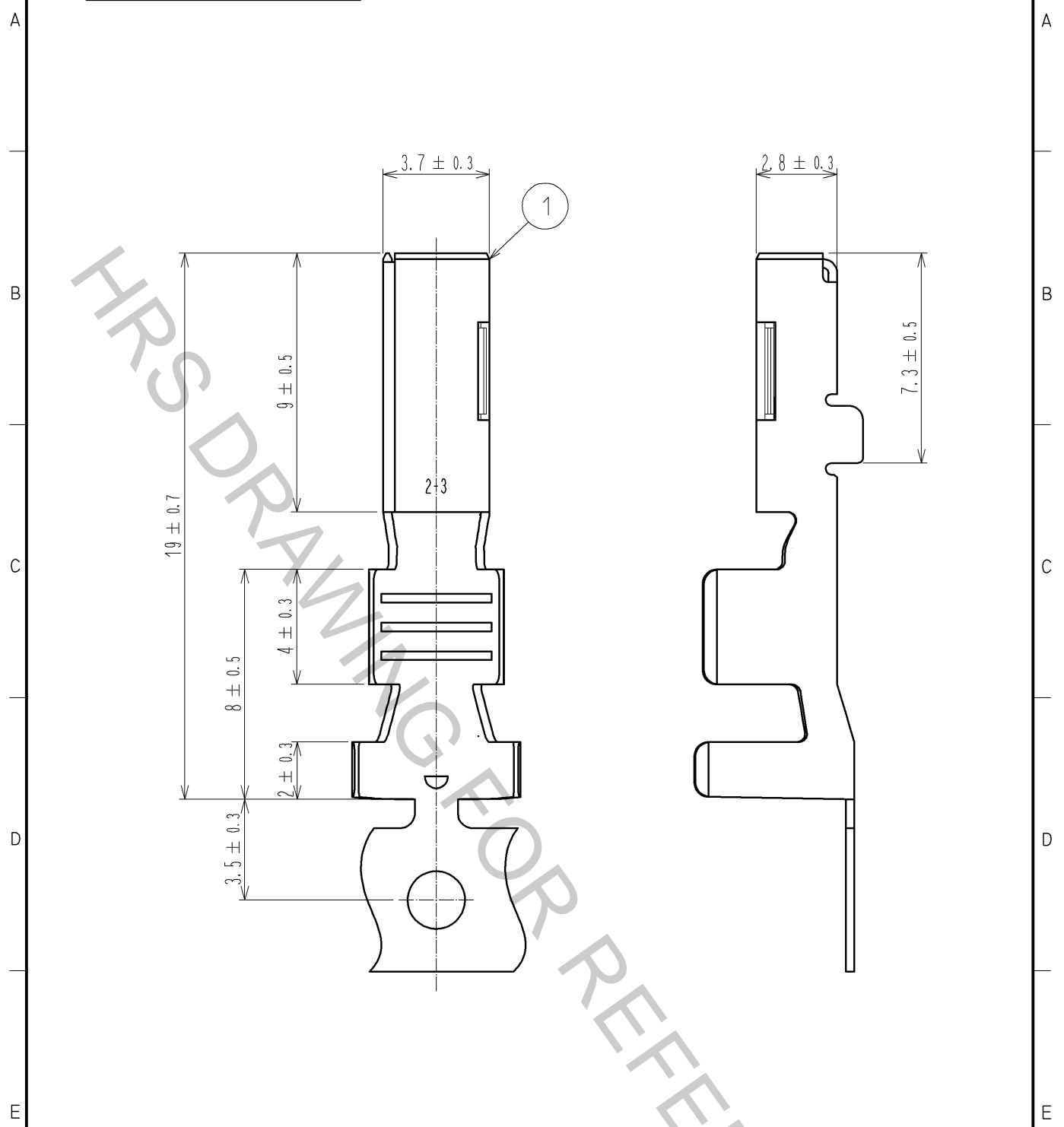


ELV. RoHS COMPLIANT



NOTE1. 1700PCS/REEL

| 1 | COPPER ALLOY | TIN PLATED | | | | | | | |
|---------------------------------|--------------|-----------------|------------|--------------------------|----------|-----------------|----------|---------|------|
| NO. | MATERIAL | FINISH | REMARKS | NO. | MATERIAL | FINISH | REMARKS | | |
| UNITS mm | | SCALE 5 : 1 | COUNT | DESCRIPTION OF REVISIONS | | | DESIGNED | CHECKED | DATE |
| HIROSE ELECTRIC CO., LTD. | APPROVED | : AR. SHIRAI | 11. 04. 21 | DRAWING NO. | | EDC4-168135-00 | | | |
| | CHECKED | : TY. TAKAHASHI | 11. 04. 21 | PART NO. | | GT28-1214SCF | | | |
| | DESIGNED | : TY. SAKASHITA | 11. 04. 20 | CODE NO. | | CL778-0001-2-00 | | | |
| | DRAWN | : TY. SAKASHITA | 11. 04. 20 | | | 1/1 | | | |