

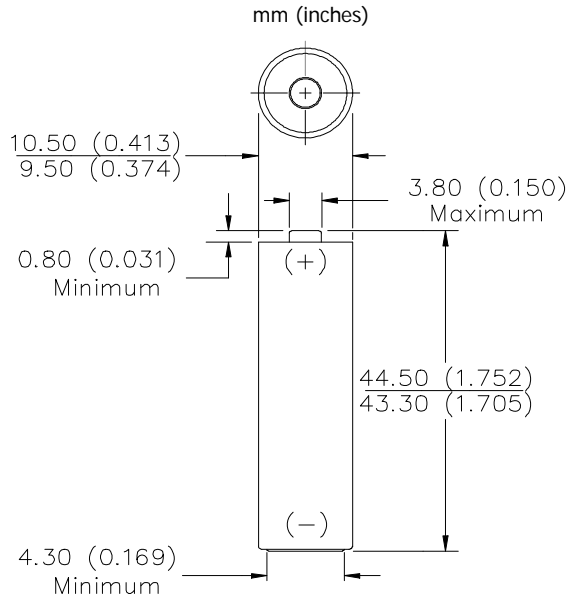
Eveready 1212

AAA

SUPER HEAVY DUTY



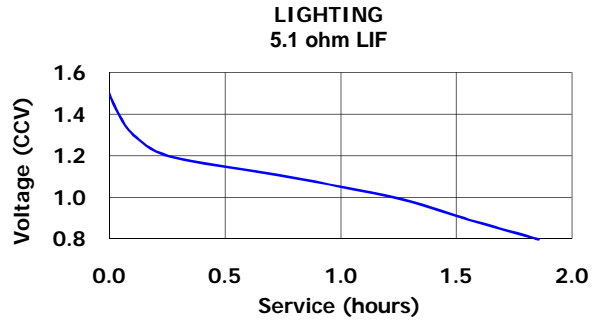
Industry Standard Dimensions



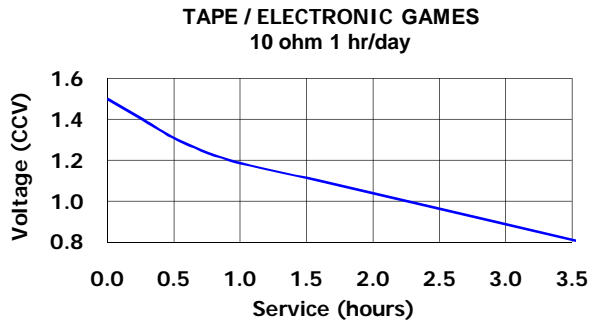
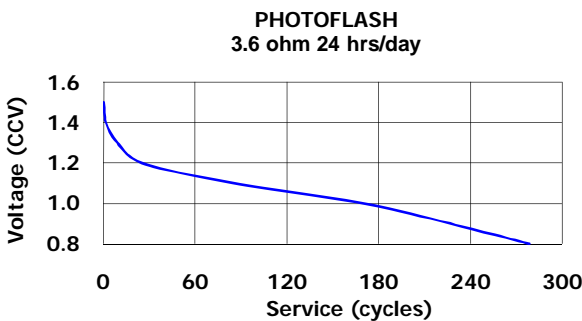
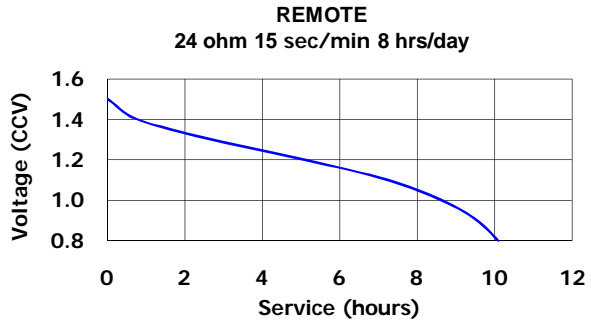
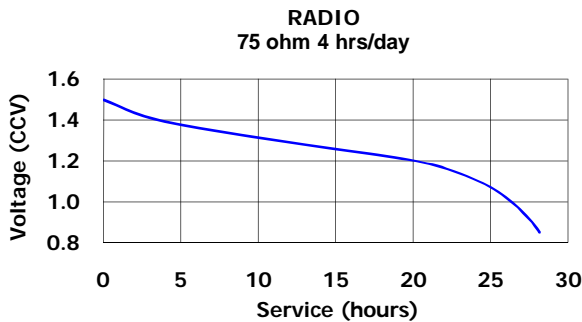
Chemical System: Zinc-Manganese Dioxide (Zn/MnO₂)
(No Added Mercury or Cadmium)

Designation: ANSI-24D, IEC-R03
Battery Voltage: 1.5 Volts
Operating Temp: -18°C to 55°C (0°F to 130°F)
Average Weight: 9.7 grams (0.31 oz.)
Volume: 4.0 cubic centimeters (0.2 cubic inch)
Average Capacity: 540 mAh to 0.8 volts
(Rated at 25 mA continuous at 21°C)
Cell: One No. 12 (size "AAA")
Jacket: Metal

Industry Standard Test (21°C)



Industry Standard Tests (21°C)



Important Notice

This data sheet contains information specific to batteries manufactured at the time of its publication.

Contents herein do not constitute a warranty.

Copyright © Eveready Battery Co. Inc. - All Rights Reserved