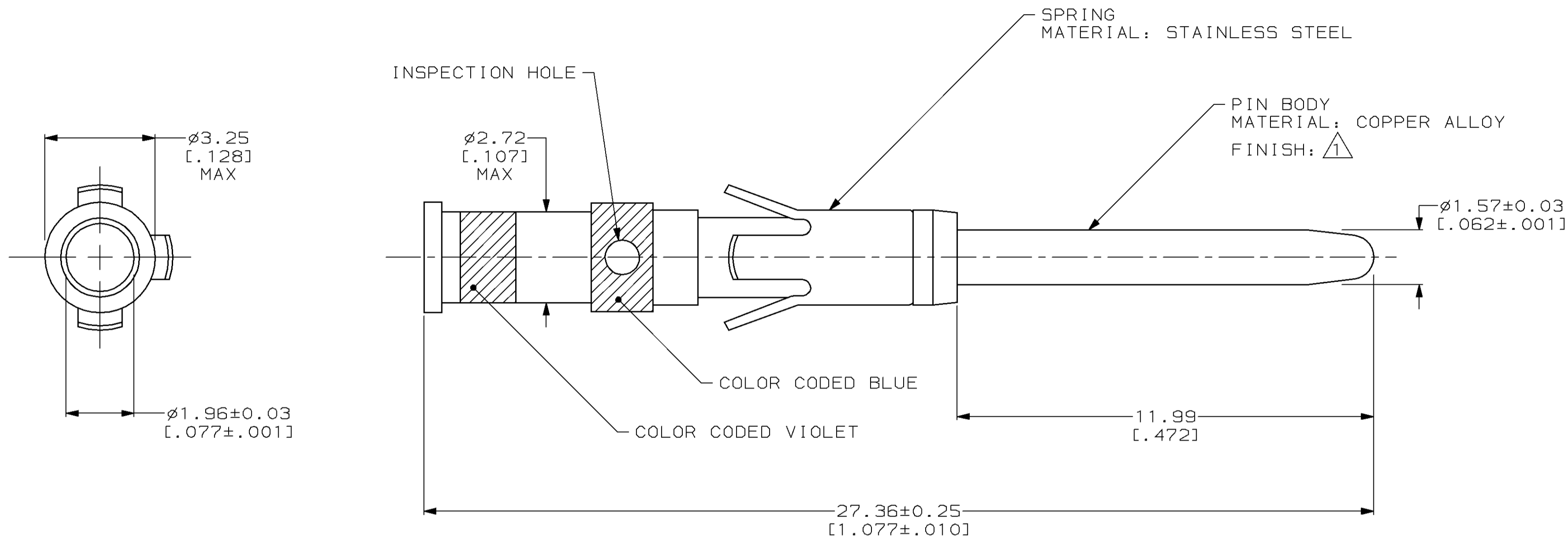
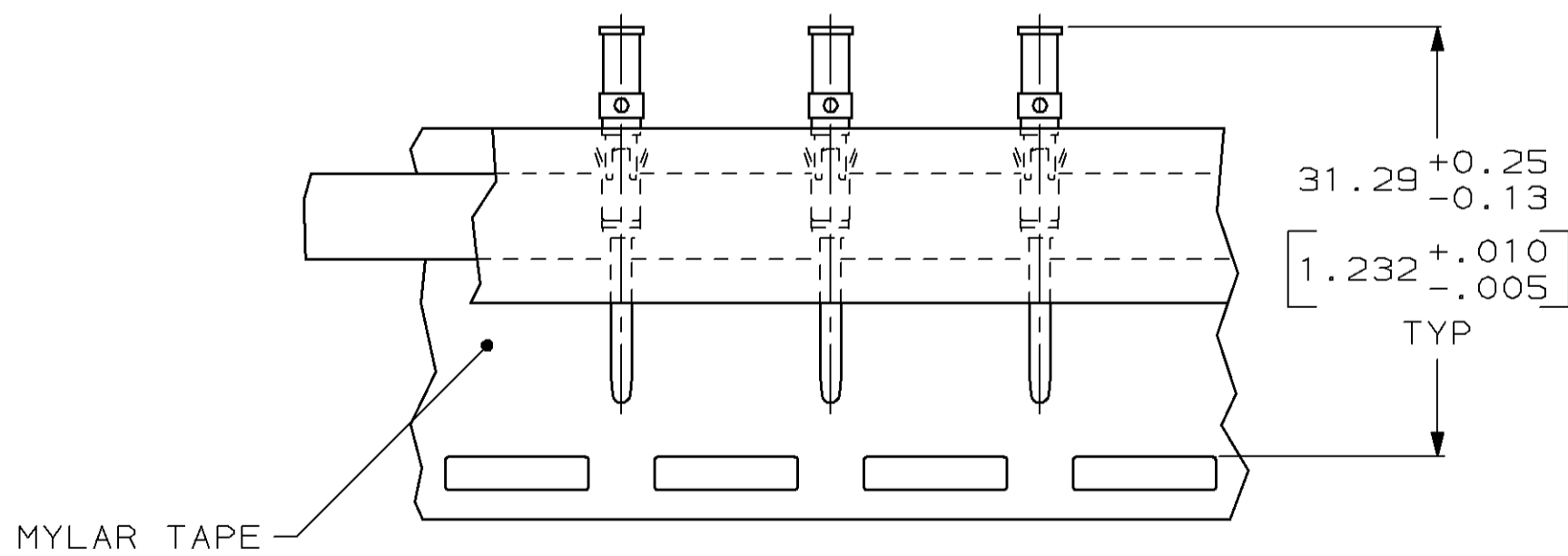


THIS DRAWING IS UNPUBLISHED. RELEASED FOR PUBLICATION
 BY AMP INCORPORATED. ALL RIGHTS RESERVED.

LOC		DIST		REVISIONS			
P	LTR	DESCRIPTION	DATE	DWN	APVD		
FT	8	S	REDRAWN W/O CHANGE PER EC 0320-98-96	20 NOV 97	-	-	-



- $\triangle 1$ 0.76 μ m [.000030] MIN GOLD OVER 1.27 μ m [.000050] MIN NICKEL.
- $\triangle 2$ WHEN ORDERING CONTACT ASSEMBLY ON TAPE, ORDER BY THE TAPE NUMBER PLUS THE PACKAGING CODE AS FOLLOWS:
 1. FOR USE WITH AMP TAPETRONIC, PNEUMATIC TOOL-
 - A. 1000 PARTS TO A BOX ADD PACKAGING CODE: 1MBOX
 2. FOR USE WITH 4/8 INDENT STRIPPER CRIMPER-
 - A. 1000 PARTS TO A REEL ADD PACKAGING CODE: 1MREEL
 - B. 5000 PARTS TO A REEL ADD PACKAGING CODE: 5MREEL



TAPE MTG DETAIL
SCALE 2:1

TAPE MTD $\triangle 2$	201570-2
STANDARD	201570-1
PACKAGING TYPE	PART NUMBER

THIS DRAWING IS A CONTROLLED DOCUMENT.		DWN B. CARBO	20 NOV 97	AMP AMP Incorporated Harrisburg, PA 17105-3608
DIMENSIONS: mm [INCHES]		CHK R. STONE	09 DEC 97	
TOLERANCES UNLESS OTHERWISE SPECIFIED:		APVD G. STEINHAUER	16 DEC 97	CONTACT ASSEMBLY, PIN, #16, 14AWG, TYPE II
0 PLC \pm -		PRODUCT SPEC	-	
1 PLC \pm -		APPLICATION SPEC	-	SIZE
2 PLC ± 0.13 [.005]		WEIGHT	-	CAGE CODE
3 PLC \pm -		CUSTOMER DRAWING	SCALE 10:1	DRAWING NO
4 PLC \pm -		SCALE	10:1	NAME
ANGLES \pm -		SHEET	1 OF 1	RESTRICTED TO
FINISH		REV	5	
SEE CALLOUTS				

201570